

VAS Signs



Vehicle Activated Safety Signs

The message couldn't be clearer



CE Certified, lightweight, silent, all weather VAS signs with pixel level diagnostics and fault detection capable. Optional fully UTMC integration compliant.

MODULE SPECIFICATIONS - **VAS** Signs

	VAS1A	VAS1B	
LEDS			
LEDs Per Pixel		1R1G1B	
Red Wavelength (Dominant)	nm	620	
Green Wavelength (Dominant)	nm	520	
Blue Wavelength (Dominant)	nm	465	
PIXELS			
Pixel Configuration		3-in-1	
LEDs Per Area	LED/m ²	30,000	30,000
Physical Pixel Pitch	mm	10	10
Physical Pixel Resolution (Width)	pixels	64	64
Physical Pixel Resolution (Height)	pixels	72	72
Physical Pixel Resolution (Total)	pixels	4,608	4,608
Physical Pixels Per Area	pixels/m ²	10,000	10,000
MODULE			
Active Module Width	mm	640	
Active Module Height	mm	720	
Active Module Area	m ²	0.4608	
Module Depth	mm	145	
Module Weight	kg	≤17	
LED Tile Width	mm	320	
LED Tile Height	mm	240	
Viewing Angle - Horizontal	degrees	30	
Viewing Angle - Vertical	degrees	30	
Ingress Protection (Front)		IP65	
Ingress Protection (Back)		IP54	
Cabinet Material and Surface Finish		Aluminium	
Storage Temperature Range	degree C	-20 to +45	
Operating Temperature Range	degree C	-20 to +45	
Operating Humidity Range	%	10 to 95 Non-condensing	
COLOUR			
Processing Depth	colours	14bit	
Refresh Rate	Hz	1,000	
BRIGHTNESS			
Brightness (After Calibration)	nits	5,000	
Brightness Control		Auto/Manual	
POWER			
Input Voltage	VAC	110/220 (24vDC For optional solar/battery power supply)	
Input Power (Frequency)	hz	50/60	
Input Power (Average)	watts	220	
Input Power (Maximum)	watts	650	
OTHER			
Lifespan	hours	100,000	
Control System Type		displayLED custom built	
Network Control		UTMC	
Memory Storage		SD slot	
Connectors		Neutrik	
Optional Data Logging		Bluetooth, GSM	
Power Up Reset Time		0.25 secs	
Vehicle Speed Sensor		AGD 330	AGD 335
Detection Distance	mtrs	<180	<140
Preset Thresholds		9	9
Speed Outputs		MPH/KPH	MPH/KPH
Internal Power Supply		12vDC	6vDC/12vDC
Power (Sensing Circuitry)		700-900mW@12vDC	100-500mW@6vDC
Sign Mounting System		Signfix	

All specifications are correct at time of print, however they are liable to change and should be confirmed at point of order.

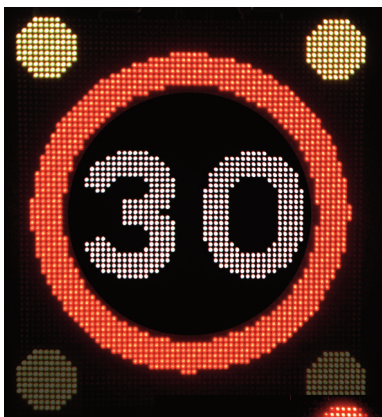


digiLED

Contact T +44 (0) 20 7381 7840 info@digiLED.com www.digiLED.com

When you need the best

digiLED manufacture and support a wide range of high quality Vehicle Activated Signs (VAS), Variable Message Signs (VMS), speed signs and school safety displays. Our range of LED highways signs are assembled in the UK and supported by our nationwide network of support technicians.



All you need for the Highways market

- Wide range of TSRDG designs
- Super-bright LEDs with automatic brightness control and high contrast screen
- Fixed speed roundel or hi-definition matrix options
- Weatherproof IP65 rated
- Optional 24v solar power and battery
- Aluminium tamper proof case
- UK approved sensor
- UK wide technical support
- Eco-power efficiency
- Pre-programmable speed settings
- School safety displays

Speed Display Optional Extras

- Mains or solar powered with battery back-up
- Wig-wag beacons (flashing in pairs, adjustable to 300m/secs)
- Standard highways format sizes (300, 450, 600, 750, 900 and 1200mm roundels)
- Remote diagnostics with logging to pixel level
- Temporary or mobile units available by special order
- Full catalogue of highways compliant graphic icons and messages
- Full colour graphical icons to your requirements (subject to highways regulations)

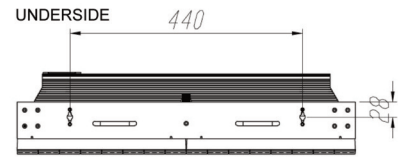
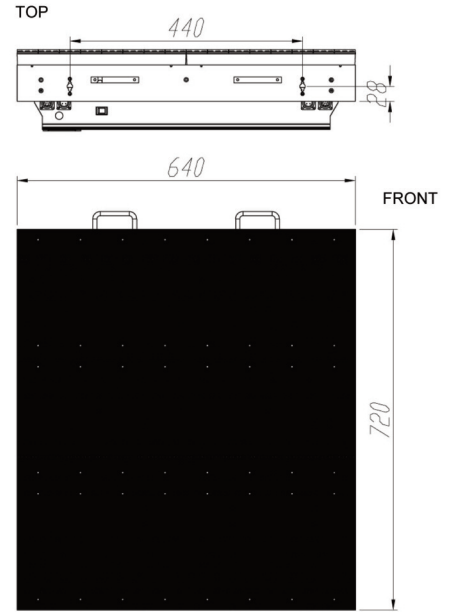
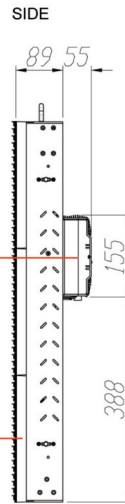
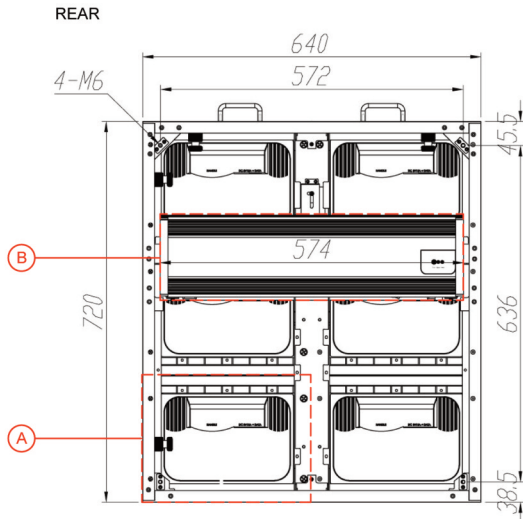


digiLED

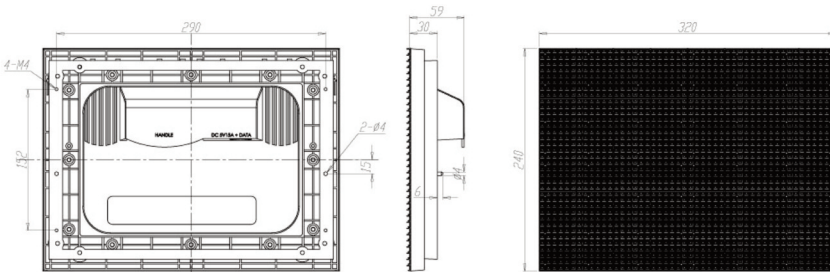
Contact T +44 (0) 20 7381 7840 info@digiLED.com www.digiLED.com

MODULE DIMENSIONS - **VAS** Signs

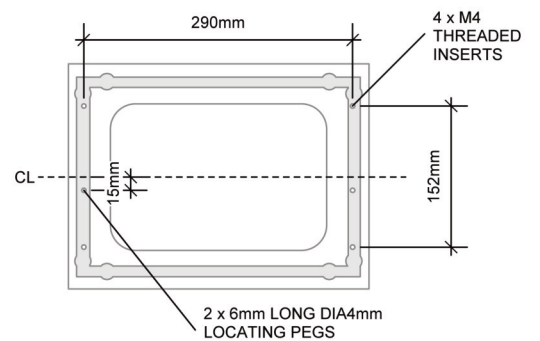
STANDARD LT10 MODULE
(CONTAINS 6 OFF LED TILES)



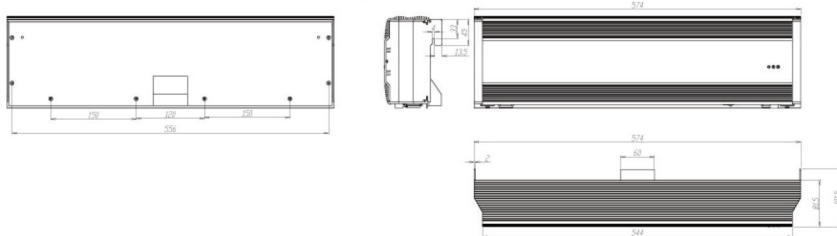
STANDARD LT10 LED TILE (A)



LED TILE FIXING DETAIL (A)



POWER AND CONTROL PACK (rear mounted) (B)

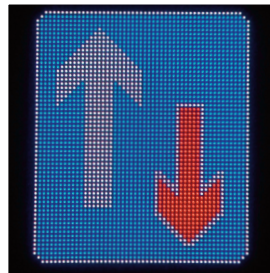
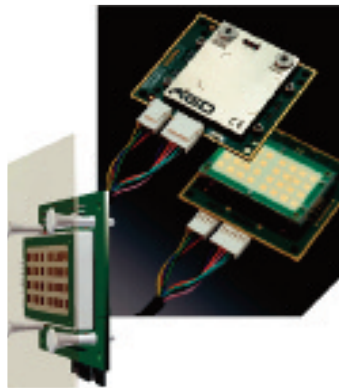


NOTE: DO NOT SCALE FROM THIS DRAWING



digiLED

EXAMPLES/PREVIOUS PROJECTS



digiLED